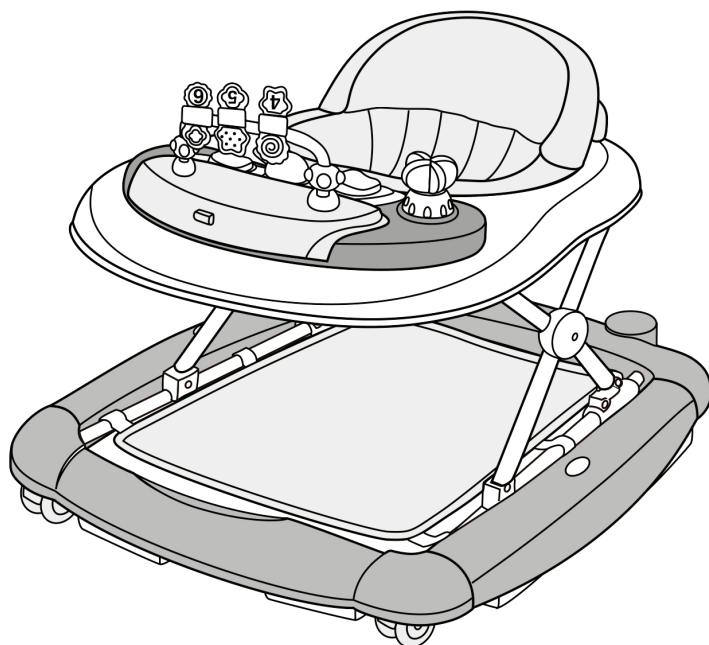


TOPMARK



NL

EN

DE

FR

ES

JEAN

6m+



max. 12 kg

T6077

Gebruiksaanwijzing

Instruction for use

Gebrauchsanleitung

Mode d'emploi

Instrucciones de uso

IMPORTANT: KEEP FOR FUTURE REFERENCE.

- Read this instructions carefully before use and keep for future reference.
- Your child's safety may be affected if you do not follow these instructions.
- Use only spare parts delivered by importer for replacing parts or reparation.
- Damages caused by overloading or wrong folding are not granted.
- Prolonged exposure to sunshine may cause changes in the colour of materials and fabrics.
- Do not expose this product to extreme temperatures. Extreme sunshine or temperatures may cause colour changes or bent parts.

WARNING

- **WARNING:** Never leave your child unattended in the baby walker. Always keep child in view when in the walker.
- The child will be able to reach further and move rapidly when in the baby walker.
- Baby walker is not suitable for children who can not sit by themselves.
- Not appropriate for children aged less than 6 months.
- Baby walker is not intended for children weighing more than 12 kg.
- Baby walker is not suitable for children who can walk by themselves.
- This baby walker should be used only for short periods of time (e.g. 20 minutes).
- Prevent access to stairs, steps and uneven surfaces.
- Prevent collisions with glass in doors, windows and furniture.
- The product must be assembled by an adult.
- Do not use the baby walking frame if any components are broken or missing.
- Do not use the baby walker unless all components are correctly fitted and adjusted.
- Ensure baby walker is completely erected and check all locks are engaged before placing child in baby walker.



WARNING



- To avoid injury ensure that your child is kept away when unfolding and folding this product.
- Do not let your child play with this product.
- Do not allow child to stand in baby walker.
- Do not allow more children.
- Do not use accessories or replacement parts other than the ones recommended by instruction manual.
- Accessories which are not approved by the manufacturer shall not be used.

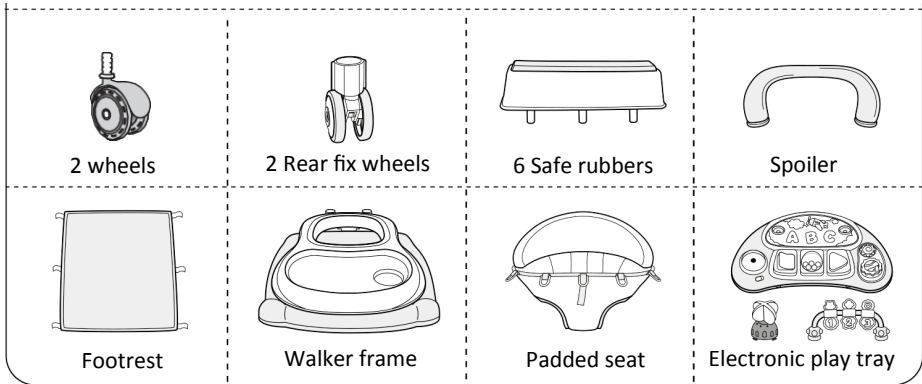
- Only replacement parts supplied or recommend by the manufacturer/ distributor shall be used.
- Do not allow any children, animals or other object to be placed near the baby walker while child is seated in the baby walker.
- Guard all fires, heating and cooking appliances.
- Avoid hot liquids, power cables and other possible dangers may come within range of a child.
- To avoid all risks of strangulation, never give children objects with cords or strings attached, or leave them within their reach. Watch out for curtain and blind cords etc.
- Use only on flat surfaces free of objects that could cause the walker to tip over.
- Clean (stoppers) regularly to maintain stopping performance.
- WARNING: Stoppers use does not totally prevent walker movement. Always keep child in view when in the walker, even when using the parking brake/stoppers.
- WARNING: Stair hazard: avoid serious injury or death, block stairs/ steps securely before using walker even when using parking break/ stoppers.

SAFETY OF THE ELECTRICAL PARTS

- The toy of the walker frame requires 2x “AA” 1.5 Volt alkaline type batteries (not included).
- Batteries must only be fitted by an adult.
- To fit/ or replace batteries: loosen the screw on the battery compartment cover with a suitable screwdriver, press the tab and remove the battery compartment cover. Then remove the spent batteries and fit new ones, ensuring that they have been fitted in the correct polarity, as shown inside the battery compartment. Replace the battery cover and tighten the screw.
- Always keep batteries and tools out of reach of children.
- Always remove spent batteries from the toy to avoid the danger of possible leakage from the battery damaging the product.
- Always remove the batteries if the toy will not be used for a long period.
- Only use alkaline batteries of the same type of equivalent to the type recommended for the correct function of this product.
- Never mix new and old batteries, or different types of batteries.
- Do not burn or dispose of spent batteries into the environment. Dispose of spent batteries at an appropriate differentiated collection point.
- Do not short-circuit the battery terminals.
- Do not attempt to recharge non-rechargeable batteries: they might explode.
- The use of rechargeable batteries is not recommended and cannot be used.

ASSEMBLING

Check if following spare parts are in the box:

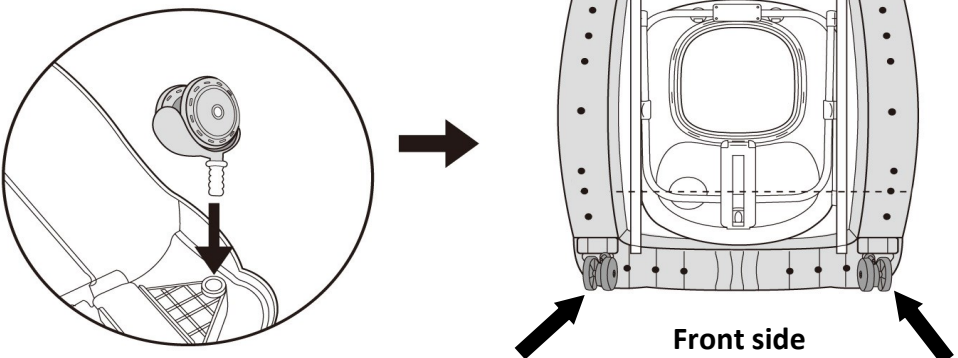


Note that the fabric patterns, colour pictures and stroller accessories on this product in this instruction manual may vary from that of the product that you have purchased.

If one or more of the above mentioned spare parts are missing or broken, please contact the store where you bought the product, before using.

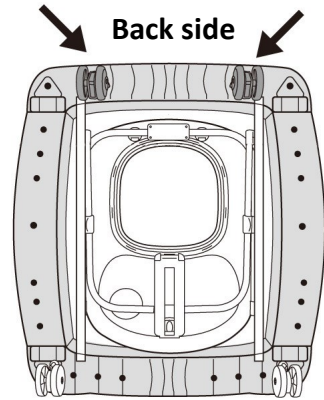
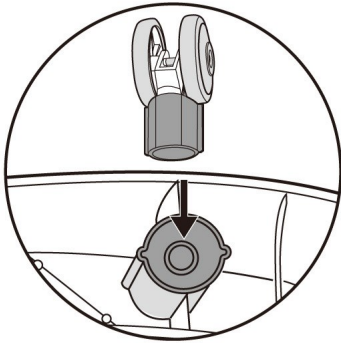
WARNING

Please keep all packaging material away from babies and children, to prevent suffocation.



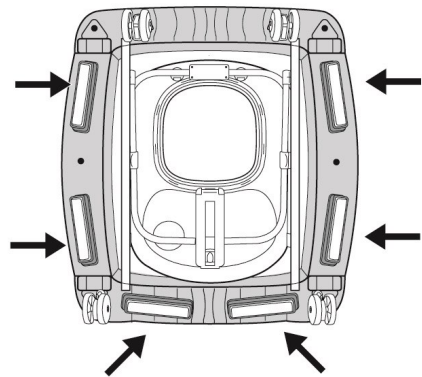
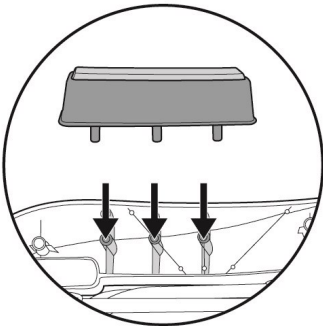
Turn the baby walker frame upside down. Fix the wheels in the appropriate housings. Ensure that the wheels are firmly pushed all the way into the housing on the down base of the walker.

ASSEMBLING



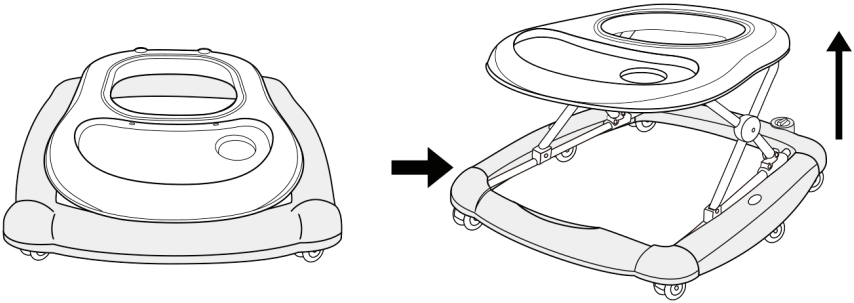
EN

Fix the rear wheels in the appropriate housings. Ensure that the wheels are firmly pushed all the way into the housing on the down base of the walker.



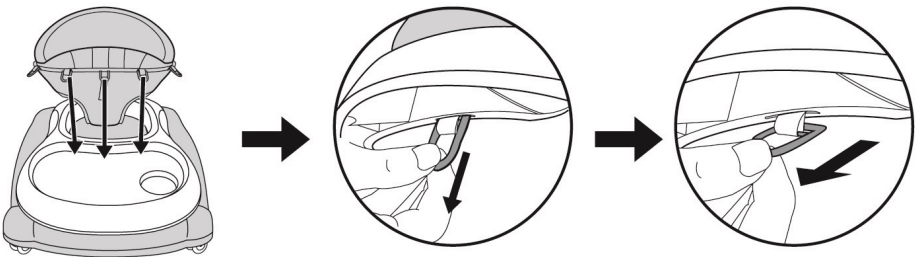
Fix the safe rubbers in the appropriate housings. Ensure that the safe rubbers are firmly pushed all the way into the housing on the down base of the walker.

ASSEMBLING



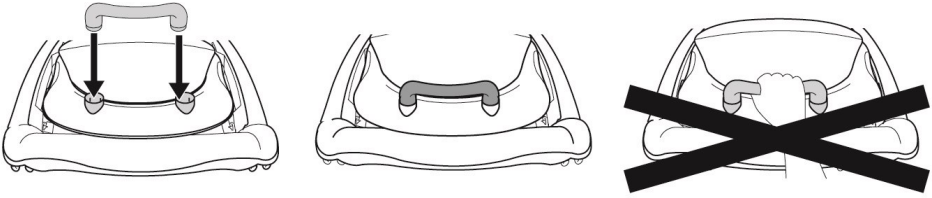
EN

Open the baby walker frame in the in-use position, ensuring that all wheels touch the floor. Slowly raise the tray by pulling it in an upward direction, until a click indicates that the frame has been locked correctly in one of the three positions.



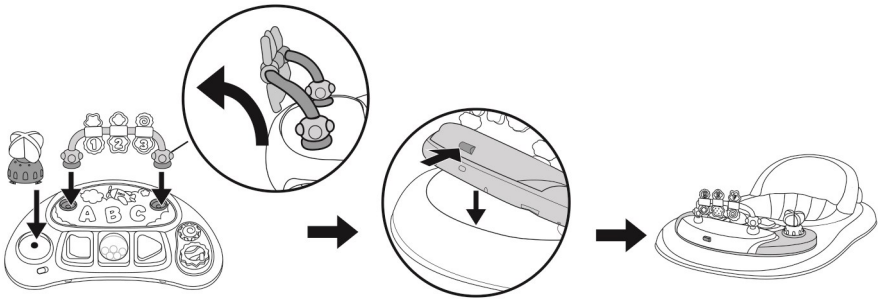
Insert the plastic rings of the padded seat in the slots located along the upper edge of the walker frame. Pass the rings through the slots and tug them until they clear the passage, then release them, ensuring that they are correctly locked in the position and can not recede into the slot.

ASSEMBLING

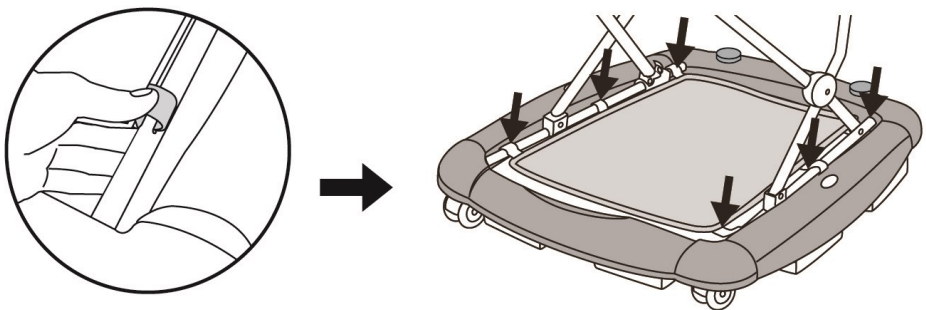


Fit the large spoiler on the rear walker frame; place it on the housings, located at the rear of the backrest, and push it firmly in a downward direction, ensuring that it has been fitted in the correct position. Please do not lift up baby walker with large spoiler. It's dangerous do it in this way.

EN

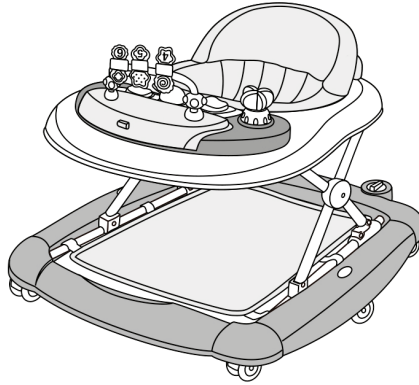


Insert all small toy parts into corresponding holes. Press and hold the button on front of the toy tray and while the toy tray is put on the dinner plate, release the button, then the toy tray is locked.



Place the hooks on to the tube at the corresponding position to fix the foot rest well when in rocking function.

ASSEMBLING/ USING

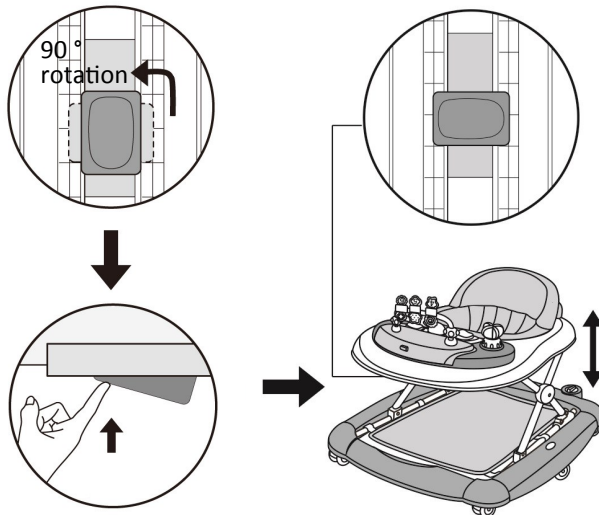


EN

Completely assembled.

1. Adjust the height.

WARNING: When opening, adjusting or closing the baby walker, ensure that your child is at a safe distance. Before placing the child in the walker ensure that the secondary lock button is correctly locked again.

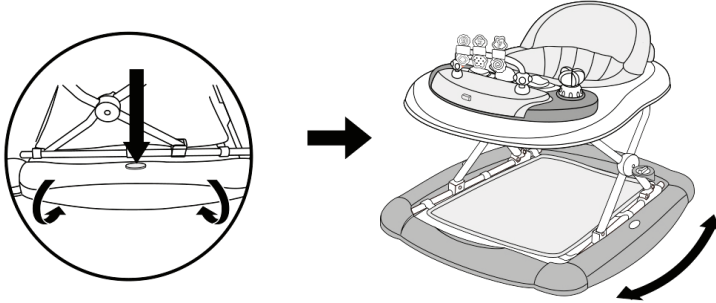


To adjust the seat's height, remove the child from the baby walking frame. Turn the safe button located under the small tray table and rotate 90 degrees. Keep the safe button pressed, then raise or lower the small table until the desired position is reached. Turn the safe button, it rotates 90 degrees again to lock the small table (if it is a automatic secondary lock, please make sure the lock rotated to 90 degrees).

USING

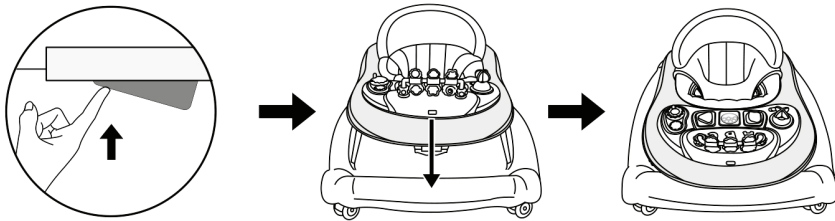
2. Convert walker to rocker.

Use two hands to press the buttons on the two sides and turn over the two side boards 90 degrees, then will changed to be rocking function.



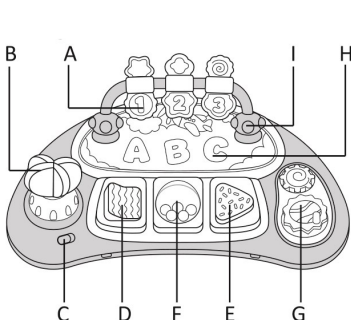
3. Folding walker.

Press the button as picture shows, meanwhile pull down the upper tray to the end, the frame folds up completely.



4. Using electronic play toy tray.

WARNING: The walker includes one electronic play tray that attaches to the walker frame. The function and use of the play tray are shown here.



- A** Turn 123 leaves
- B** Rotating toy to hear click
- C** Switch
- D,E** Change music and lights button
- F** Roller with beads
- G** Gear pinion
- H** ABC lights up when triangle button is pushed.
- I** Rotatable and movable white beads

CARE AND MAINTENANCE

To prolong the life of your nursery product, keep it clean and do not leave in the direct sunlight for extended periods of time.

Check the wheels regularly for wear and make sure that there is no dust and sand between the axles and wheels.

Removable fabric covers and trims may be cleaned using warm water with a household soap or a mild detergent. Allow it to dry fully, preferably away from direct sunlight.

Do not allow the baby walker to come outside, sand causes corrosion on wheels and may cause damages on a parquets-, laminate-, linoleum– or carpet floor.

EN

Helpful hints

If the wheels squeak, use a silicon based spray ensuring it penetrates the wheel and axles assembly.

Do not dry clean or use bleach.

Do not machine wash, tumble or spin dry, unless the care labeling on the product permits these methods.

Non removable fabric covers and trims may be cleaned using a damp sponge with soap or mild detergent. Allow it to dry completely before folding or storing it away. In some climates the covers and trims may be affected by mould and mildew. To help prevent this occurring, do not fold or store the product if it is damp or wet. Always store the product in a well ventilated area.

Always check parts regularly for tightness of screws, nuts and other fasteners, tighten if required. To maintain the safety of your nursery product, seek prompt repairs for bent, torn, worn or broken parts.

Use only parts and accessories approved by the supplier.



GUARANTEE

We grant 2 year guarantee on this product commencing on the date of purchase. Within the guarantee period we will eliminate any defects in the appliance resulting from faults in materials or workmanship, either by repairing or replacing the complete product.

This guarantee does not cover: damage due to improper use, normal wear or use as well as defects that have a negligible effect on the value or operation of the product.

Damages caused by overloading or wrong folding are not granted.

To obtain service within the guarantee period, hand in the complete product with your sales receipt to the store where the product has been bought.

The warranty applies only to the first owner and is not transferable.

EN

Top Mark BV
Postbus 308
8200 AH Lelystad
NETHERLANDS
service@topmark.nl
www.topmark.nl

EN 1273

TOPMARK

www.topmark.nl

Copyright© Top Mark B.V. 2018